

PLANS FOR AN 8' OCTAGON GAZEBO

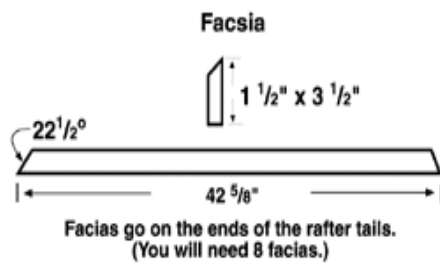
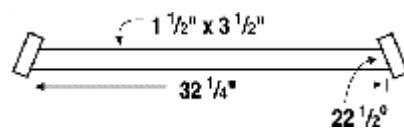
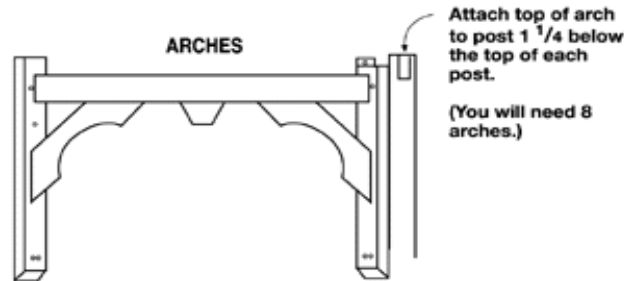
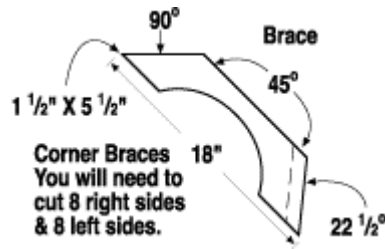
Here are plans to build an 8' octagon gazebo from scratch.

Because gazebos are exterior structures, you should use a wood that is best for exterior use. A soft, decay resistant wood such as redwood is the best choice. However, you can also use cedar, or treated pine. One of these three is most likely available in your area.

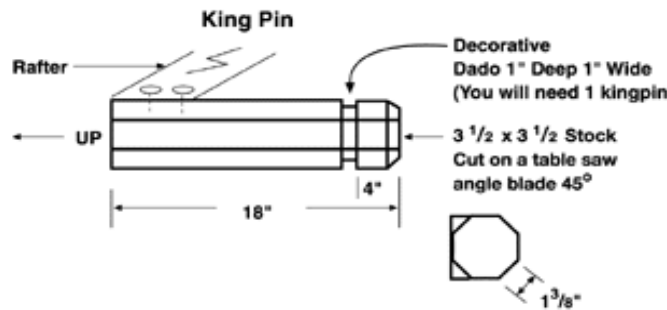
We predrill all of our screw holes and use 3" screws to assemble our gazebos. We recommend you do the same. With these simple plans and some basic woodworking tools you can construct a gazebo at a substantial savings in three to four weekends. (If you prefer to purchase one of our precut kits, assembly takes approximately a day.)

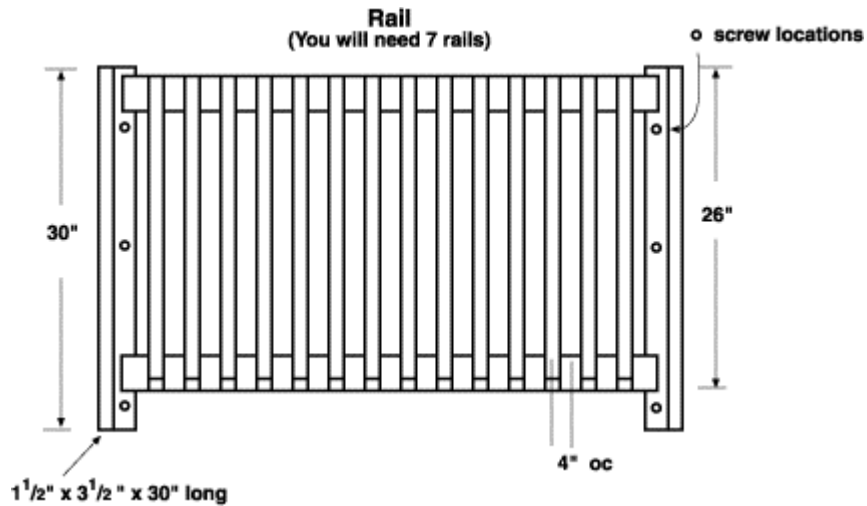
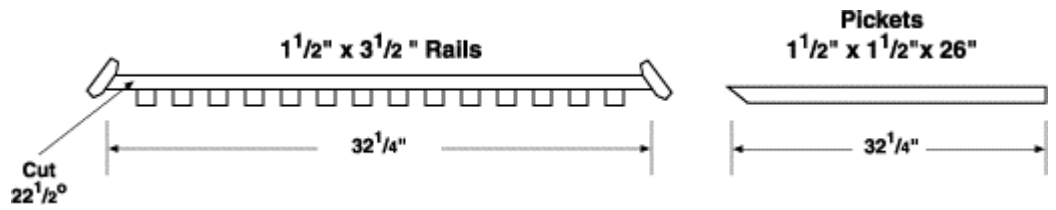
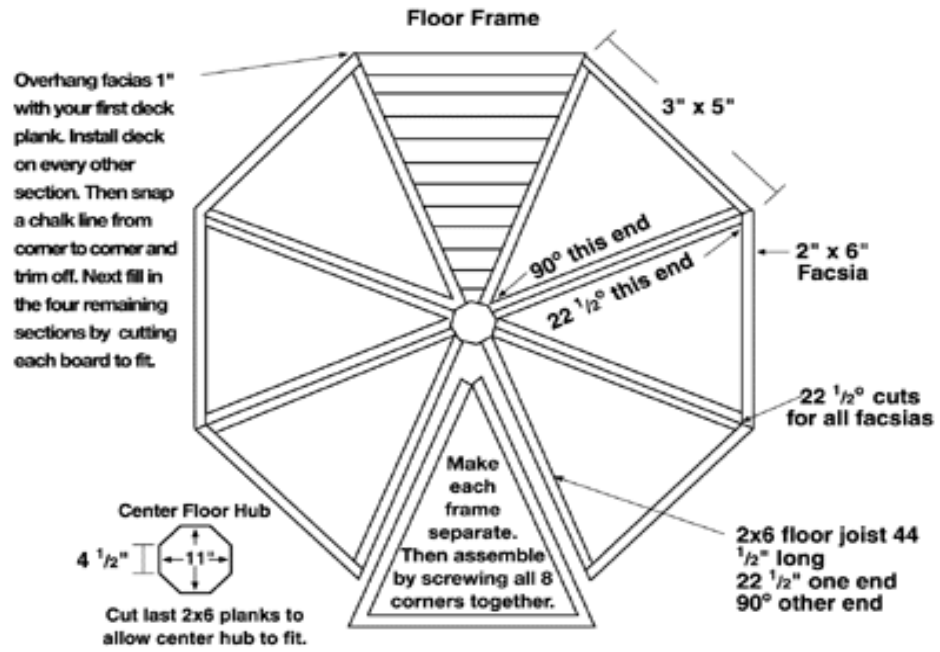
These plans are going to give you a big head start, but they will not provide information on things such as skip sheeting the roof, application of roofing materials or any decorative trim such as a finial or a cupola. We leave the custom touches to you.

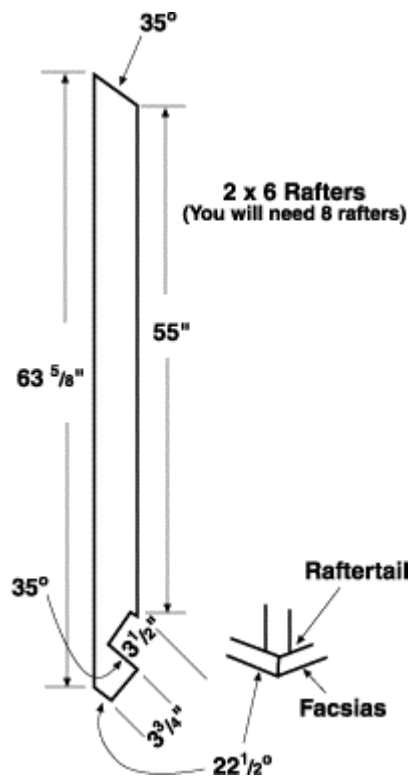
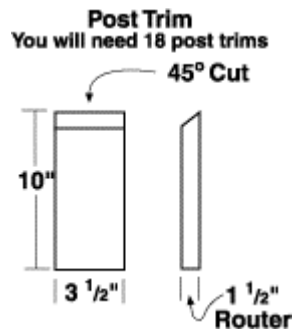
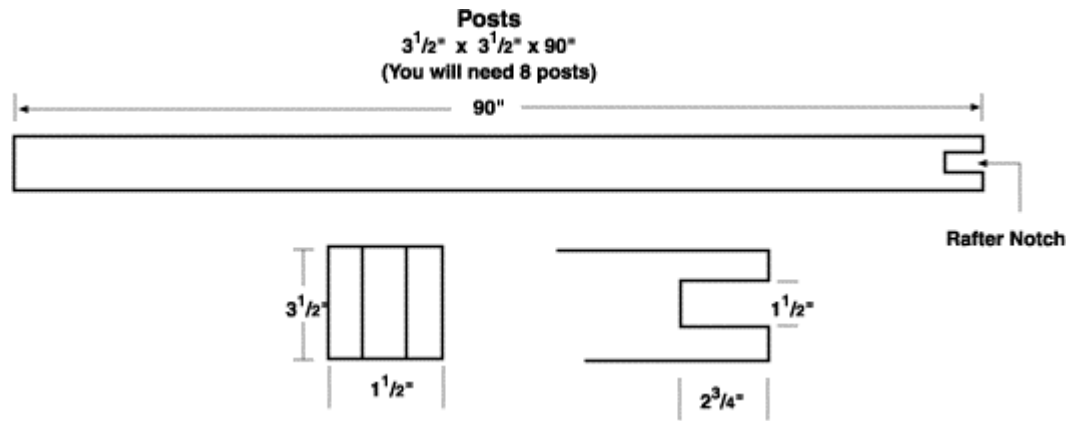
We recommend that you have some basic carpentry or woodworking skills before attempting this project.



Fascia trim is cut from 4x4 stock using a table saw. Tilt blade to $22\frac{1}{2}^\circ$ and raise to $2\frac{3}{4}$ " high. Next move fence $\frac{3}{4}$ " each time to cut new fascia trim.







ASSEMBLY INSTRUCTIONS

1. Assemble and level floor.

2. Attach rail sections to posts.
3. Attach arches to posts.
4. Attach two rafters to the kingpin - one opposite the other lift the rafters and kingpin into the notches at the top of the posts, then attach the remaining six rafters.
5. Attach fascias. The bottom of each fascia should be flush with the bottom of each rafter tail.
6. Attach post and fascia trim.
7. Skip sheet roof with the material of your choice.
8. Roofing - use material of your own choice.

We suggest topping your gazebo with a finial, weather vane, or cupola.